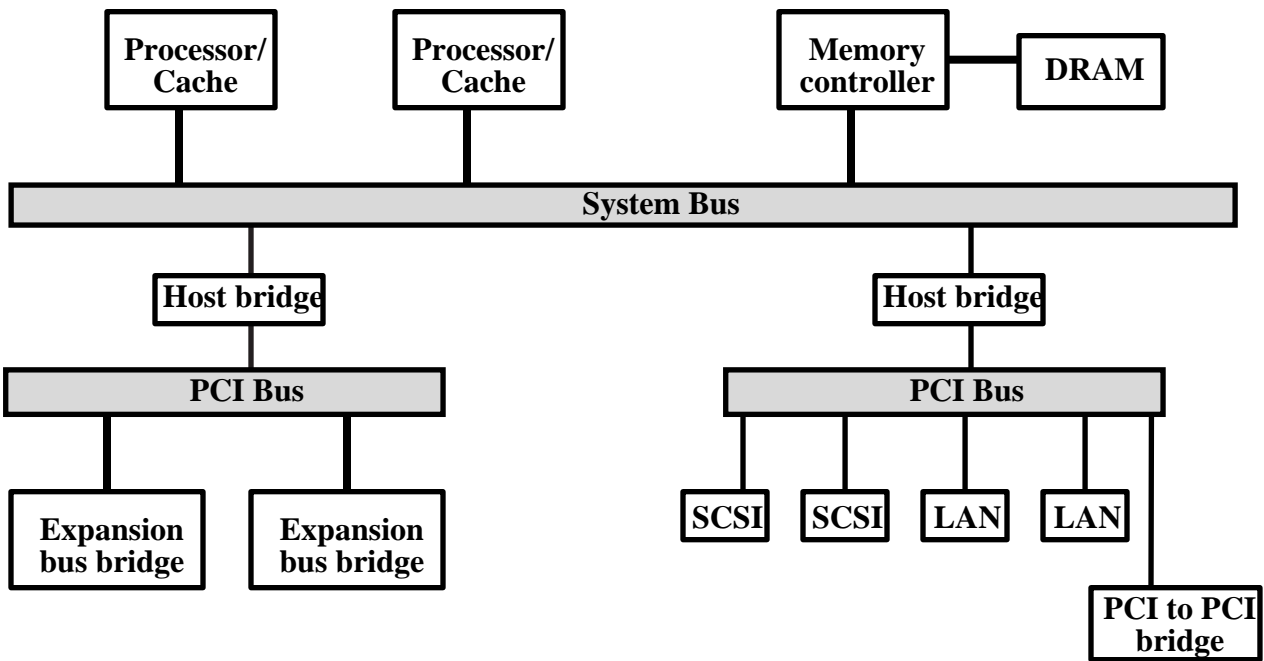


(a) Typical Desktop System



(b) Typical Server System

Figure 3.21 Example PCI Configurations