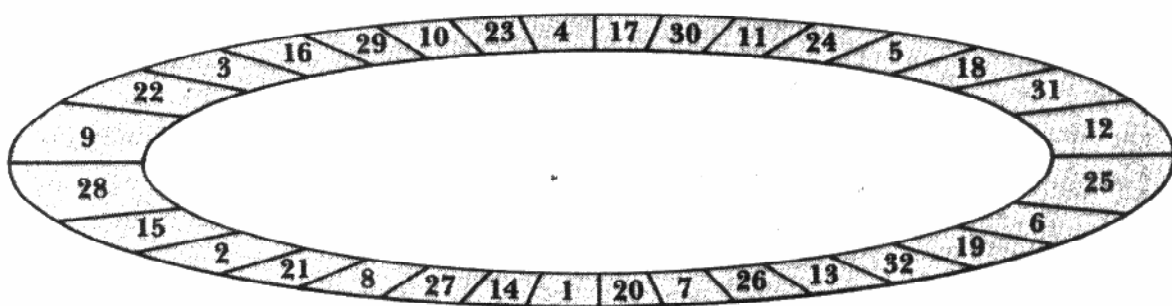


(a)

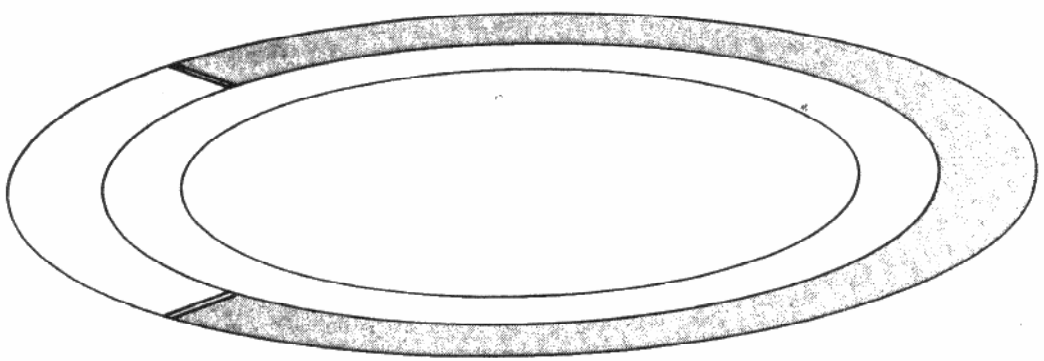
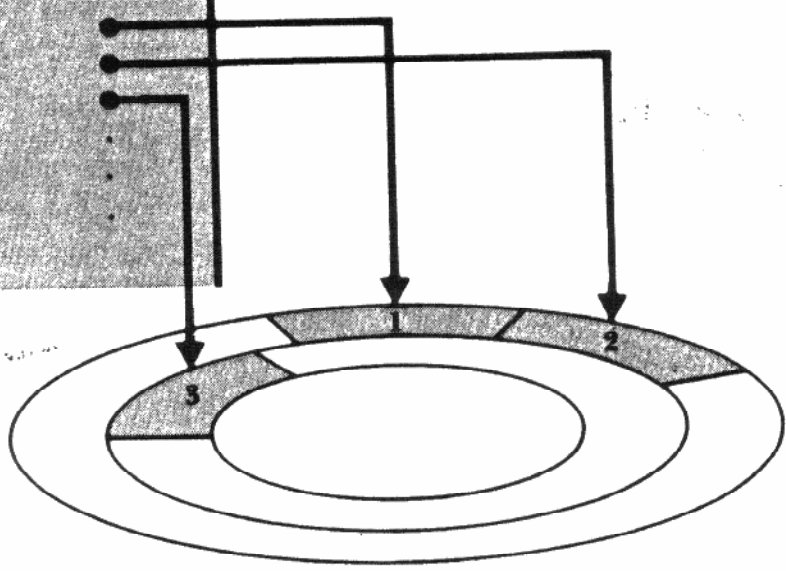


(b)

**File allocation table
(FAT)**

Cluster number	Cluster location
1	•
2	•
3	•
•	•
•	•
•	•
•	•

The part of the FAT pertaining to our file



(a)

